



Visitez Traxxas.com/manuals pour télécharger les instructions dans votre langue.  
 Visite la página Traxxas.com/manuals para descargar el instrucciones en su idioma.  
 Auf Traxxas.com/manuals, können Sie anleitung in Ihrer Sprache downloaden.

## LED Light Kit Installation Instructions (fits #8111 or #8112 bodies)

Covers Parts #8084, 8085, 8086, 8087, 8089

### #8085 Kit Contents:

- LED lighting module
- Distribution block
- Front grille
- Front grille retainer
- Headlights harness assembly
- Headlight clamps (2)
- Tailgate panel
- Tailgate panel retainer
- Tail lights harness assembly
- Tail light clamps (2)
- Jumper
- 2.5x8mm button-head screws (8)
- 2.6x8mm button-head screws (2)
- 2.5x10mm button-head screws (2)
- 2.5x15mm cap screws (2)
- Zip tie mount (3)
- Zip ties (3)
- Body templates

### #8084 Kit Contents

(parts #8116 and #8117 required, sold separately):

- Headlights harness assembly
- Tail lights harness assembly

### #8087 Kit Contents (parts #8120 or #8120X required, sold separately)\*:

- LED roof light bar
- 2.5x8mm cap screws (2)
- Zip tie mount (1)
- Zip tie (1)

### #8086 Kit Contents (parts #8120 or #8120X required, sold separately)\*:

- Expedition rack scene lights harness assembly
- 2.5x8mm cap screws (8)
- Zip tie mount (1)
- Zip tie (1)

\*4-in-2 wire harness (part #8089, sold separately) required when installing both the #8086 and #8087 kits.



### CAUTION: RISK OF INJURY!

Always wear eye protection when using motorized tools. Use care with hobby knives, tapered reamers, and other cutting tools as they are extremely sharp and can cause severe injury, deep cuts, and/or punctures.

### Tool required:

- Safety glasses
- 2.0mm hex wrench
- 1.5mm hex wrench
- Hobby knife
- Small file (optional)
- Tapered body reamer (part #3433 or #3433X, sold separately)
- Body scissors (part #3431 (straight tip) or #3132 (curved tip), sold separately)
- Rotary tool (such as Dremel®) (optional)

### LED Lighting Module Installation (Fig. 1) (#8085 Kit only):

Your model may differ slightly from the one shown in the illustration, but installation is the same.

1. Install the LED lighting module (A) on the left chassis floor pan. Secure with the 2.5x15mm cap screws (2).
2. Remove the screws from the receiver box cover and wire clamp; remove the cover and clamp (B).
3. Remove the two 3x10mm countersunk cap screws from the battery tray (C).
4. Lift up the battery tray and route the red wire (male connector) from the LED lighting module to the right side of the chassis and through the hole in the receiver box. Plug the connector into channel 1 of the receiver (D). **Note:** The connector can be plugged into any non-telemetry channel on the TQi receiver.
5. Apply an additional bead of silicone grease (Traxxas part #1647, sold separately) to the wire clamp. The grease will improve sealing. Reinstall the clamp and screws.
6. Make sure the o-ring is properly seated into the groove in the receiver box so that the cover will not pinch it or damage it in any way.
7. Install the cover and screws. Inspect the cover to make sure the o-ring seal is not visible.
8. Reinstall the screws in the battery tray.
9. Connect the black wire (red female connector) from the LED lighting module to the red wire (male connector) exiting the XL-5 HV electronic speed control.

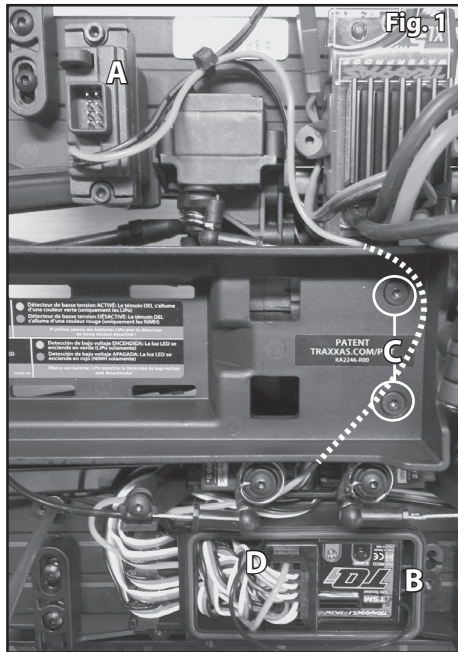


Fig. 2

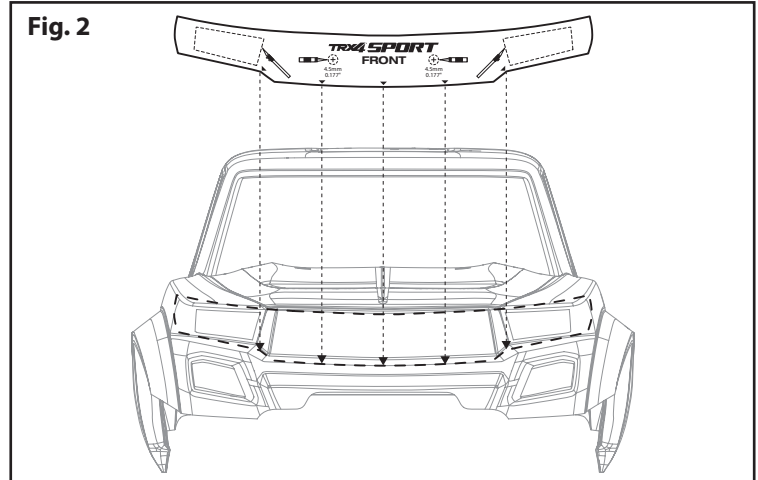
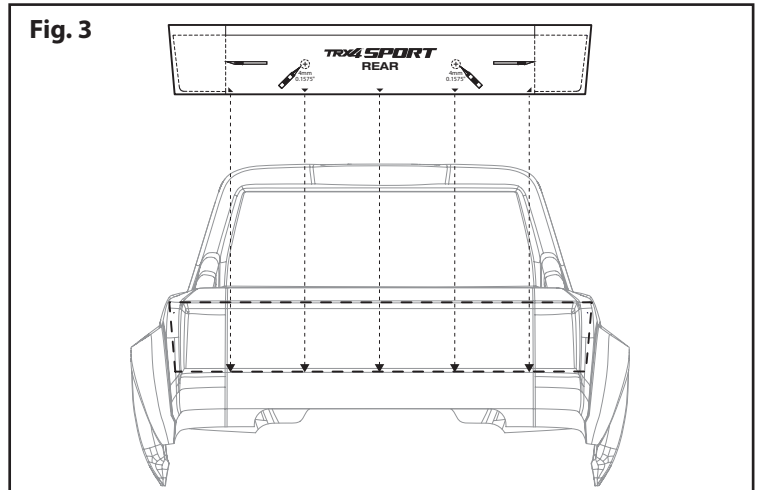


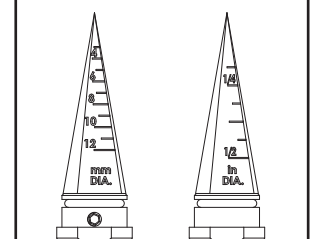
Fig. 3



### Body Modification

1. Install the included templates on the body. Align the arrows with the body lines on the front grille and the tailgate as shown in Fig. 2 and 3.
2. Using a tapered body reamer, carefully cut the holes in the truck body for the screw bosses on the front grille retainer and the tailgate panel (**note the hole diameters indicated on the templates and the corresponding diameter measurements on the body reamer**).
3. Using a hobby knife, carefully cut out the holes in the truck body for the headlight housing and the tail light lens.

### Tapered Body Reamer Diameter Measurements



**Tip:** If you have a rotary tool (such as Dremel®), then use a small routing bit to cut out the openings. Start by using the tapered reamer to make a small hole inside the area to be removed. Insert the routing bit into the hole, and then follow the cut out lines. **CAUTION: Wear your eye protection when using the motorized tool!** Use a hobby knife or a small file to carefully trim the corners square. When using a hobby knife, score the body material several times with the knife blade, and then snap it over to break and release. This will provide the cleanest cuts. Do not try to cut all the way through the body material in one pass or “saw” it with the knife blade.

- Using a body reamer, cut a small hole in the front left corner of the roof of the truck body for the LED roof light bar. The hole needs to be large enough to pass the connector for the light bar through the body. **Note:** It is important to cut the hole in the correct location or the light bar will not mount correctly (see *Wiring Diagram, Fig. 6*).
- Using a hobby knife or rotary tool, cut a slot in the front left corner of the truck bed for the expedition rack scene lights. The slot needs to be large enough for the harness connector to pass through (see *Wiring Diagram, Fig. 6*).

#### LED Light Installation

**Note:** While installing the LED lights, install the included zip tie mounts and use zip ties to secure the wiring to the body in the locations provided. The zip ties do not need to be tight; allow some slack for wire movement.

- Install the front grille (A) with the front grille retainer (B), headlight clamps (C), tailgate panel (D) with the tailgate panel retainer (E), and tail light clamps (F) on the truck body using the included hardware.
- Install the LED light kits; refer to the *Assembly Diagram (Fig. 5)* and *Wiring Diagram (Fig. 6)*. The headlights (G) and tail lights (H) snap into the receptacles of the headlight clamps and tail light clamps.

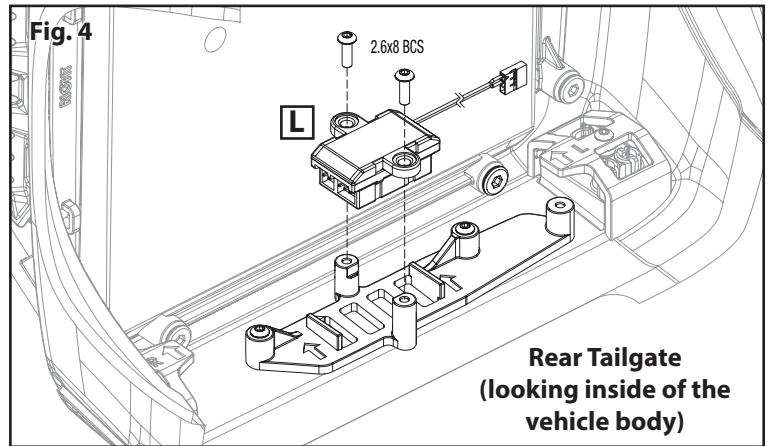
**Note:** Installation of the roof LED light bar (I) and/or scene lights (J) requires the TRX-4 Expedition Rack Kit (K) (part #8120 or #8120X, sold separately).

- Secure the roof light bar to the expedition rack using the 2.5x8mm cap screws (2). Secure the scene lights (4) to the expedition rack using the 2.5x8mm cap screws (8). The expedition rack scene lights install as an assembly using the hardware provided. When installing the scene lights, note where the light string begins and ends in the *Wiring Diagram*. Do not overtighten the screws that fasten the scene lights to the expedition rack.

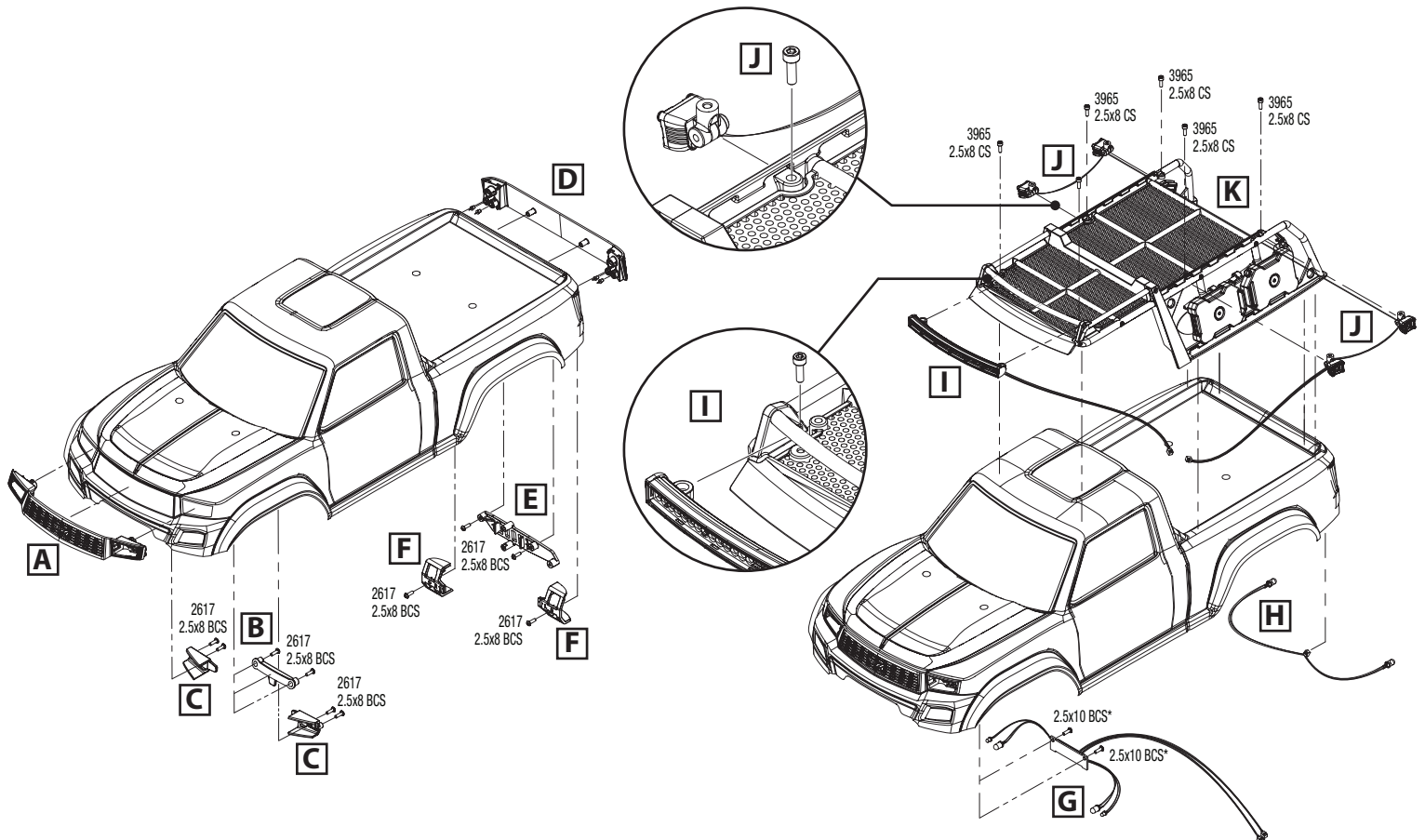
Hand tighten these screws. Feed the connectors through the holes in the body; then, install the expedition rack on the vehicle body according to the kit instructions.

#### Distribution Block Installation

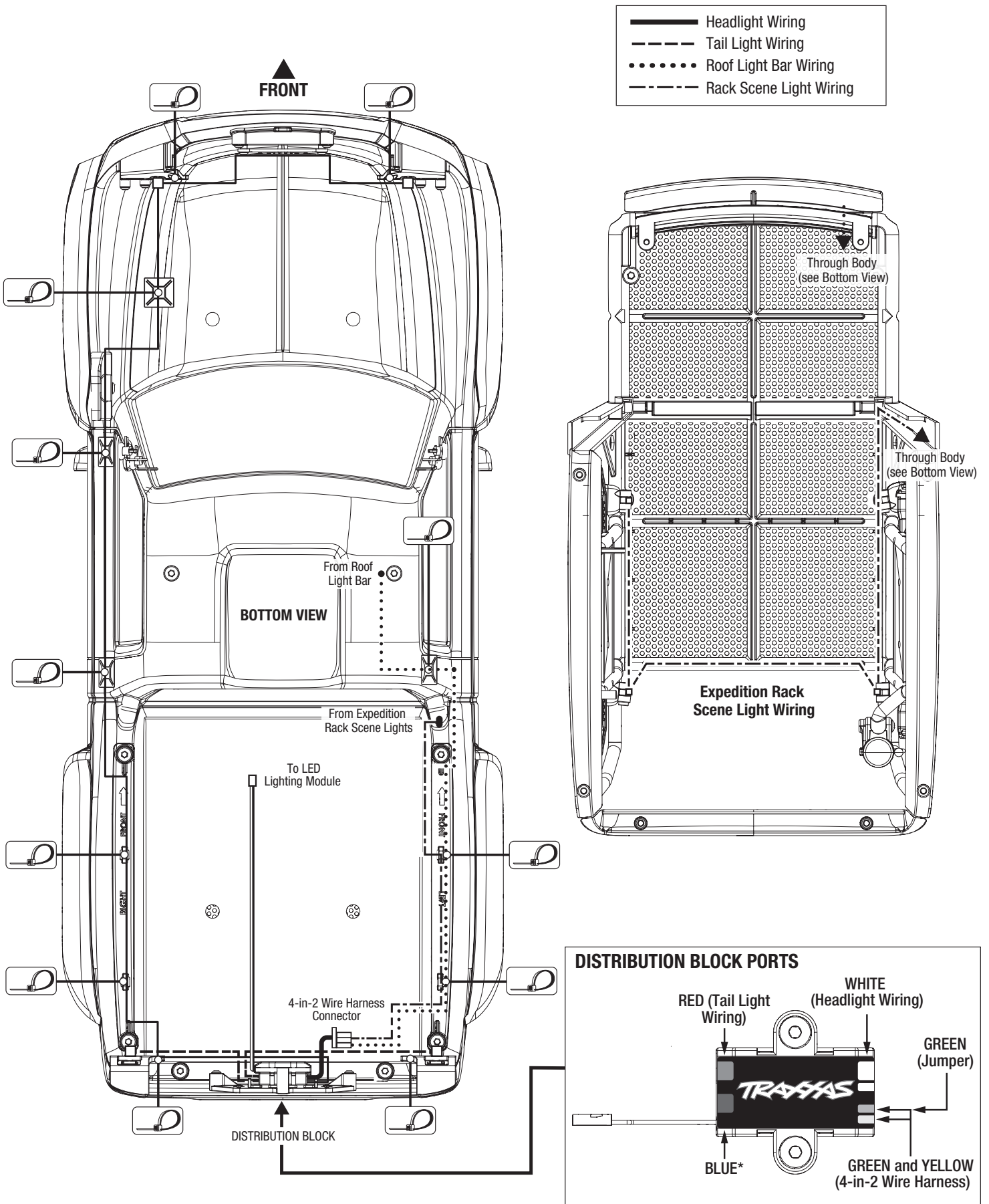
- Install the distribution block (L) on the tailgate panel retainer and secure it with the 2.6x8 mm button-head screws (2) as shown in Fig. 4.
- Plug the connectors from the LED light wire harnesses into the ports of the distribution block. Match the color band on the wire harnesses with the corresponding color of each port indicator on the distribution block (white for the headlights, red for the tail lights, yellow for the roof LED light bar or the expedition rack scene lights).
- Plug the included jumper into the green port of the distribution block. **Note:** The jumper will allow the LED lights to go into full power (high beam) mode. The jumper is not required for the LED lights to function (the lights will remain in low power (low beam) mode if the jumper is not used).
- The 4-in-2 wire harness (part #8089, sold separately) is required when installing both the roof LED light bar and the expedition rack scene light kit. Plug the roof LED light bar and scene lights into the 4-in-2 wire harness; then, plug the harness into the yellow and green ports on the distribution block.



#### Assembly Diagram



\*Only use the 2.5x10 BCS if installing the #8084 or #8085 LED light kits.



\*For use with optional accessories. Not used with this LED light kit.

**Warranty Information**

Traxxas electronic components are warranted to be free from defects in materials and workmanship for a period of 30 days from the date of purchase.

**Limitations:** Any and all warranty coverage does not cover replacement of parts and components damaged by abuse, neglect, improper or unreasonable use, crash damage, water or excessive moisture, chemical damage, improper or infrequent maintenance, accident, unauthorized alteration or modification or items that are considered consumable. Traxxas will not pay for the cost of shipping or transportation of a defective component to us.

**Traxxas Lifetime Electronics Warranty**

After the expiration date of the warranty period, Traxxas will repair electronic components for a flat rate. Please visit [Traxxas.com/support](http://Traxxas.com/support) for a current schedule of warranty costs and fees. The covered repairs are limited to non-mechanical components that have NOT been subjected to abuse, misuse, or neglect. Products damaged by intentional abuse, misuse, or neglect may be subject to additional charges. Traxxas liability, in no case, shall be greater than the actual purchase price of this product. For replacement, product must be returned in brand new condition, with packaging and itemized sales receipt.

If you have questions or need technical assistance, call Traxxas at

**1-888-TRAXXAS**

(1-888-872-9927) (U.S. residents only)